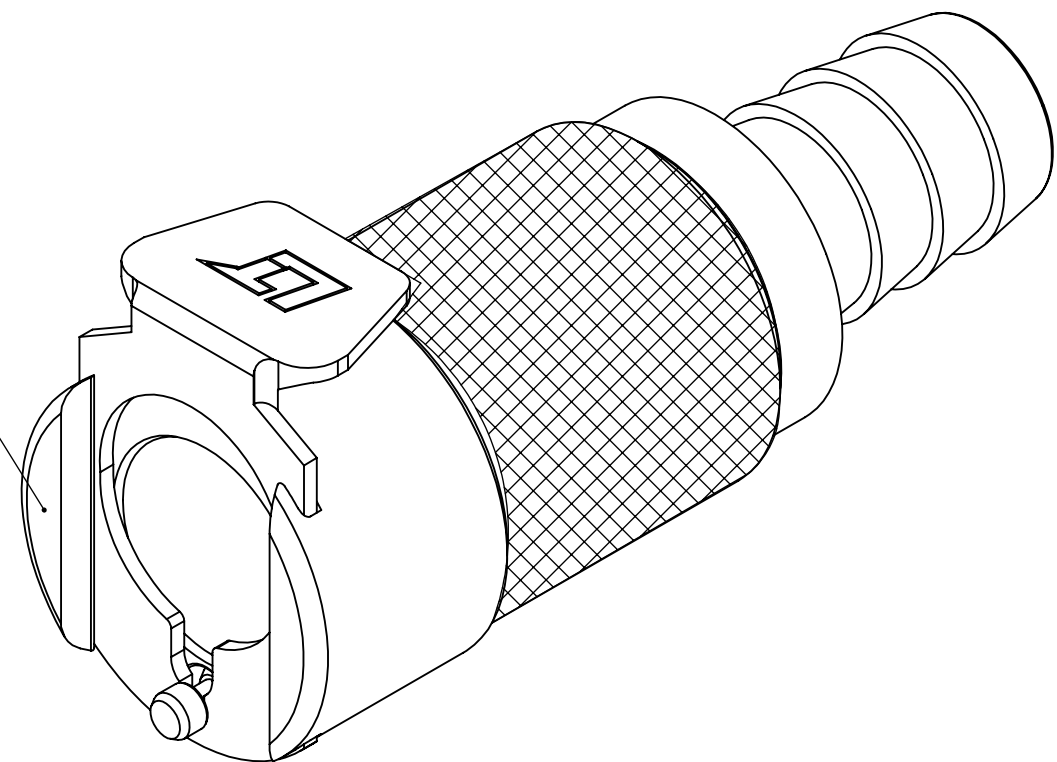
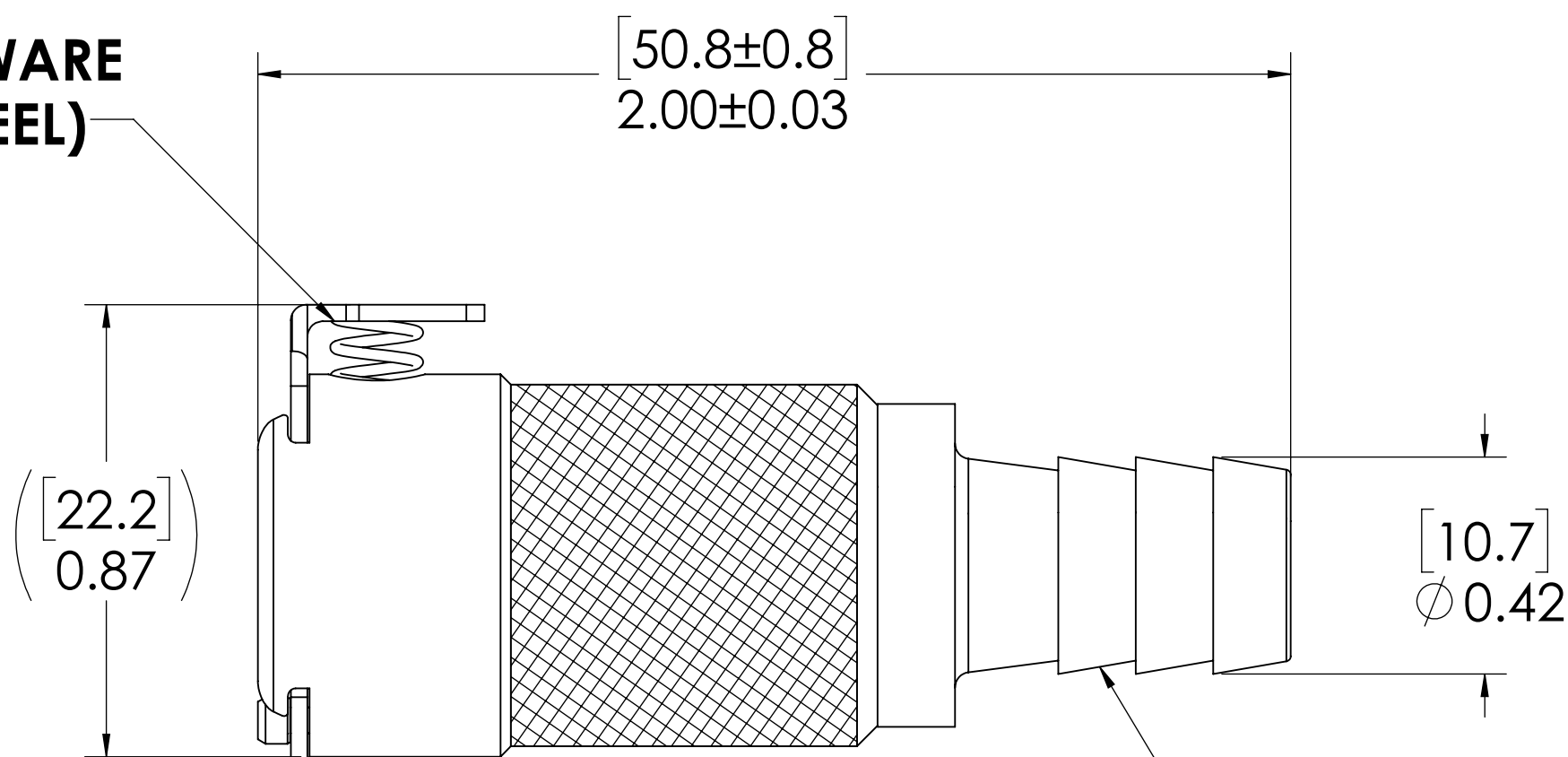


REVISIONS						
SHEET	ZONE	REV.	ECO	DESCRIPTION	DATE	APPROVED
1	ALL	A	50242	UPDATE DWG TO CURRENT FORMAT & STANDARDS	7/18/2018	HRC

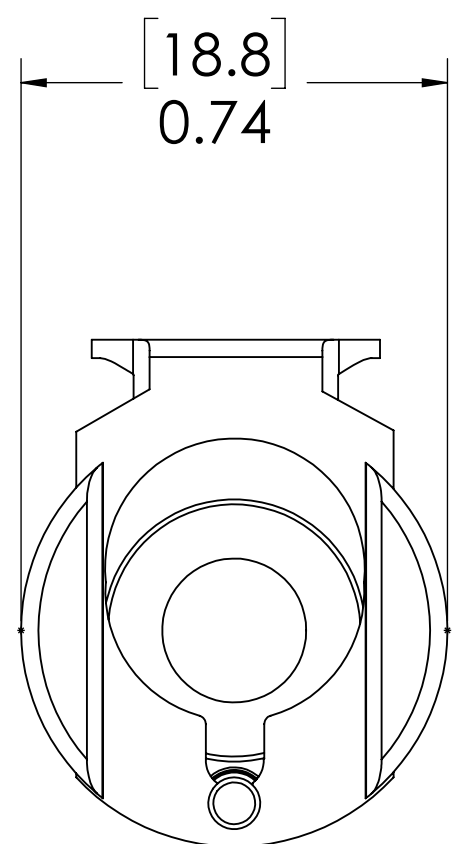
**SOCKET,
(BRASS, NICKEL AND
CHROME PLATED)**



**LATCH HARDWARE
(STAINLESS STEEL)**



3/8" TUBE ID



FOR REFERENCE ONLY

- NOTES:**
1. MATERIAL: BRASS
 2. FINISH: CHROME

<small>UNLESS OTHERWISE SPECIFIED: DIMENSIONS ARE IN INCHES TOLERANCES: FRACTIONAL ± 1/32 ANGULAR, MACH ± 0.5 BEND ± 2 ONE PLACE DECIMAL ± 0.1 TWO PLACE DECIMAL ± 0.01 THREE PLACE DECIMAL ± 0.005 TWO PLACE DUAL (mm) [± 0.12]</small>	DRAWN	ER	07-31-17	
	CHECKED	HRC	05-21-12	
	ENG APPR.	HRC	7/18/18	
	MFG APPR.	BDB	7/18/18	
<small>PROPRIETARY AND CONFIDENTIAL THE INFORMATION CONTAINED IN THIS DRAWING IS THE SOLE PROPERTY OF LINKTECH LLC. ANY REPRODUCTION OR DISCLOSURE IN PART OR AS A WHOLE WITHOUT THE WRITTEN PERMISSION OF LINKTECH LLC IS STRICTLY PROHIBITED.</small>	PRODUCTION	LS	7/18/18	PART NO: 40CB-S2-06 DESCRIPTION: LinkTech 40CB Series Straight Female, Non-valved, 3/8" HB, Chrome Brass
	COMMENTS:			SIZE DWG. NO. REV C 40CB400114 A
	SCALE: NTS		WEIGHT:	SHEET 1 OF 1